

For Product Step File or 3D Model Send a Request Mail To info@nrack.com

Key Locks

Panel Locks

Plane Locks

3Point Locks (Round & Flat)

Handle & Knobs

Hinges

Airvents

Gasketing

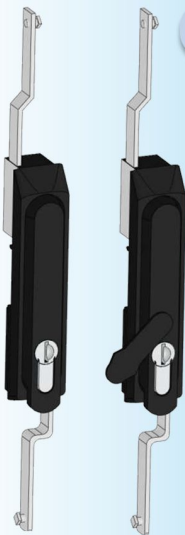
Canopy Locks

Other Accessories

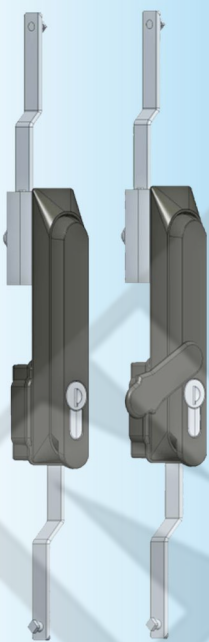
Stainless Steel



Photo View

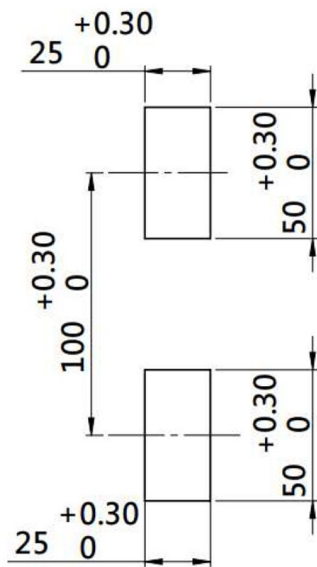
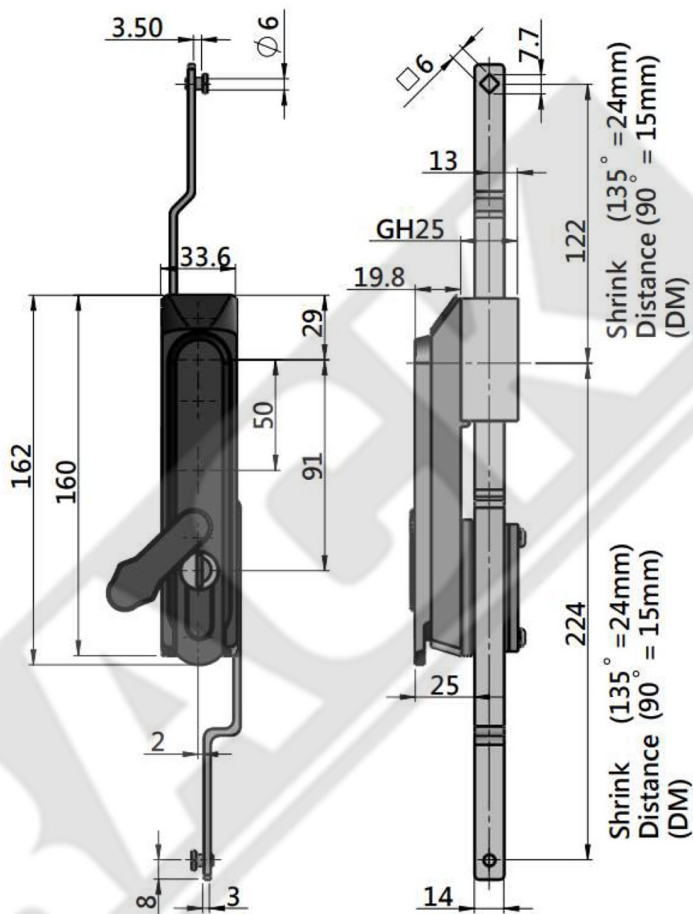


3D Rendered View



## MS 100-3-2B

- Material: PA body, brass shaft, Zinc plating shaft, cam, sand bright chrome plating rack
- Finish :Matt black
- Panel thickness: 1~3mm
- Remark: cam cutout 8x8



PANEL CUTOUT